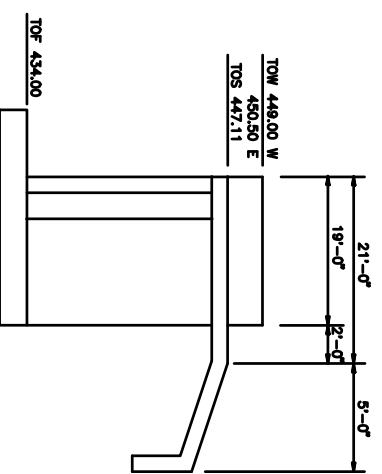


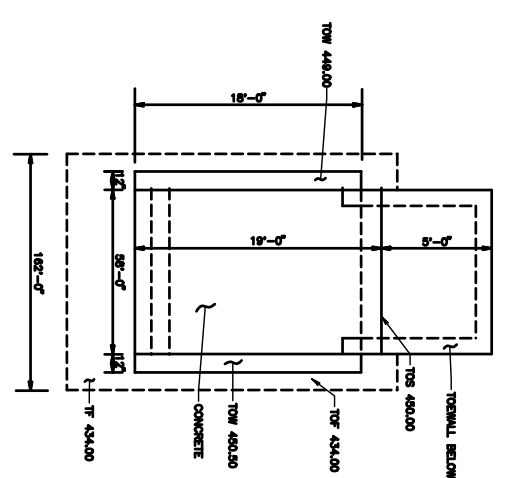
**GENERAL STRUCTURAL NOTES**

ALLOWABLE SOIL BEARING PRESSURE 2000 PSF.  
 THE CONTRACTOR SHALL VERIFY ALL DIMENSIONS AND EXISTING CONDITIONS BEFORE COMMENCING WORK. NOTIFY THE ENGINEER IMMEDIATELY IN WRITING OF ANY DISCREPANCIES.  
 ALL SECTIONS, DETAILS AND NOTES SHOWN ON THE DRAWINGS ARE INTENDED TO BE TYPICAL AND SHALL APPLY TO SIMILAR SITUATIONS EXCEPT WHERE SHOWN OTHERWISE.  
 THE CONTRACTOR SHALL BE SOLELY RESPONSIBLE FOR ALL SITE SAFETY, PERSONNEL AND DAMAGE TO PROPERTY ARISING OUT OF OR ON HIS CONTRACT WITH THE PERFORMANCE OF THE WORK, WHETHER ADVANCED TO OR AT THE SITE.

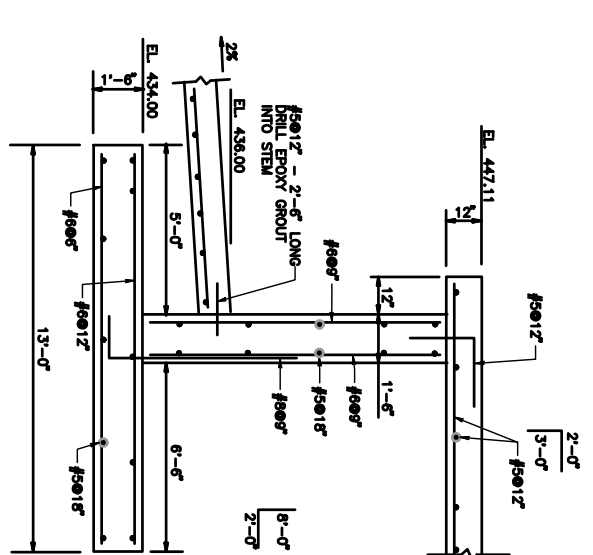
**FOUNDATIONS**  
 ALL FOOTING FOUNDATIONS SHALL BE SET IN AND FREE OF SPONGE STRAGGLES AND ALL EXISTING FOUNDATIONS SHALL BE REINFORCED AND APPROVED BY THE OWNER'S REPRESENTATIVE PRIOR TO PLACEMENT OF CONCRETE.  
 IN STRUCTURE AREA AND SLABS ON GRADE, FILL SHALL BE COMPACTED TO 98% OF FINISHED GRADE DENSITY. ALL EXISTING FILL SHALL BE REMOVED AND REPLACED WITH COMPRESSIVE STRENGTH OF 4000 PSF. ALL FLOOR SLABS SHALL HAVE A MINIMUM 28 DAY COMPRESSIVE STRENGTH OF 4000 PSF.  
 ALL EXTERIOR SLABS AND EXTERIOR FOUNDATIONS SUBJECT TO FREEZING SHALL BE REINFORCED WITH REINFORCING SHALL CONFORM TO ASTM A615, GRADE 60, UNLESS NOTED OTHERWISE. ON INWARDS, CONCRETE REINFORCEMENT SHALL BE PLACED SUCH THAT THE FOLLOWING MINIMUM CONCRETE COVERAGE IS MAINTAINED:  
 FLOORS ..... 1 1/2"  
 BEAMS/WALLS ..... 1 1/2"  
 ALL REINFORCING BARS SHALL BE FURNISHED IN ACCORDANCE WITH ASTM A615, GRADE 60, AND SHALL BE CLEAN AND FREE OF GREASE, OIL, SCALE, RUST OR OTHER BOND-BREAKING SUBSTANCES.  
 CONCRETE SHALL BE PLACED AND FINISHED IN ACCORDANCE WITH THE FOLLOWING: REINFORCING WALLS AND GRADE BEAMS TO RUN AT ALL CORNERS.  
 ALL 3/4" x 3/8" CHAIRS SHALL BE PROVIDED AT THE EDGE OF ALL FINISHED WALLS, BEAMS AND COLUMNS.



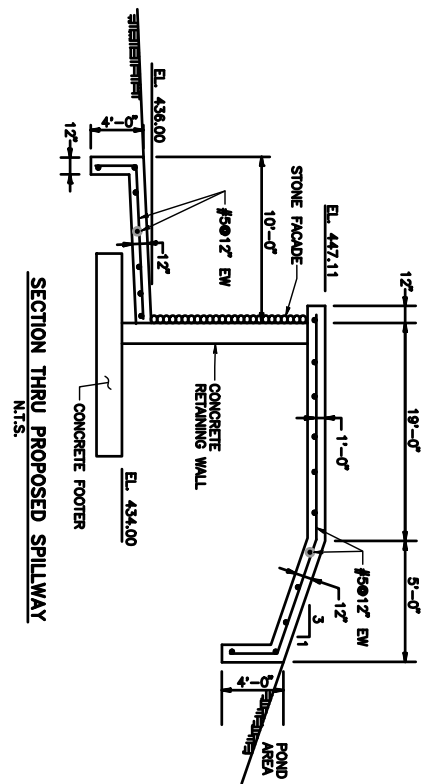
SECTION 1 PROPOSED SIDEWALL  
 N.T.S.



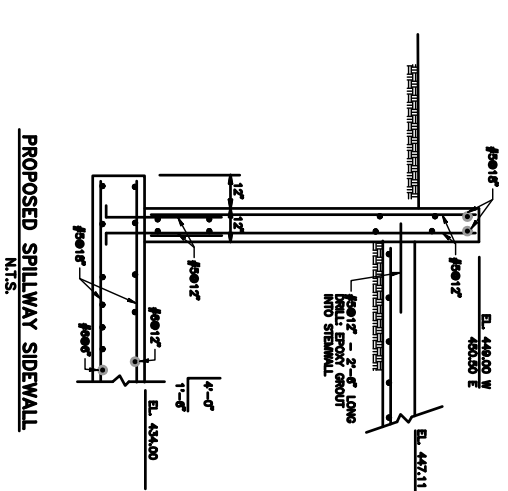
PROPOSED SPILLWAY PLAN VIEW  
 N.T.S.



PROPOSED SPILLWAY SECTION  
 N.T.S.

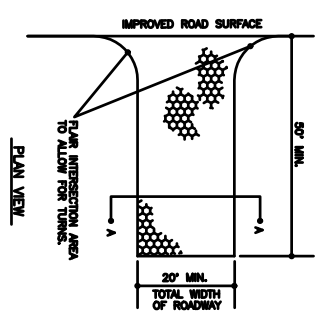


SECTION THRU PROPOSED SPILLWAY  
 N.T.S.



PROPOSED SPILLWAY SIDEWALL  
 N.T.S.

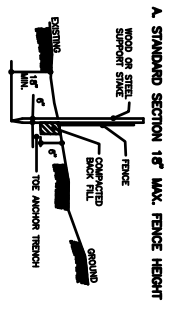
**SPILLWAY CONSTRUCTION DETAILS AND SPECIFICATIONS**



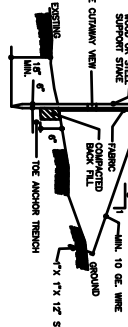
ROCK CONSTRUCTION ENTRANCE DETAILS  
 NOT TO SCALE



TYPICAL SECTION A-A  
 NOT TO SCALE



A. STANDARD SECTION 18" MAX. FENCE HEIGHT

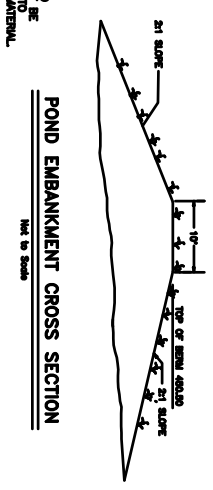


B. REINFORCED SECTION 30" MAX. FENCE HEIGHT



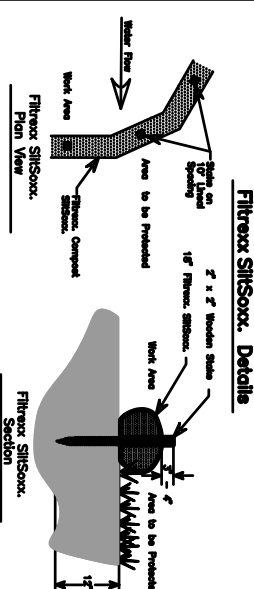
FILTER FABRIC FENCE INSTALLATION DETAILS  
 NOT TO SCALE

**SET FENCING MAINTENANCE NOTES**  
 1. Set Fencing shall be installed in accordance with the specifications of the contract documents.  
 2. Fencing shall be installed in a straight line and shall be set at a distance of 10 feet from the edge of the roadway.  
 3. Fencing shall be set at a distance of 45 degrees to the alignment of the roadway.  
 4. Fencing shall be set at a distance of 1/2 the above.  
 5. Any all fencing which has been undamaged or topped must be replaced with new fencing immediately.



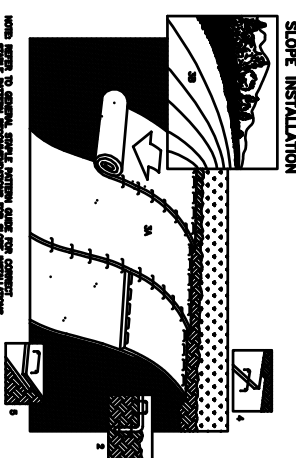
POND EMBANKMENT CROSS SECTION  
 NOT TO SCALE

**FILL MATERIAL/COMPACTION NOTES:**  
 ALL EXISTING FILL SHALL BE FREE FROM BRUSH, ROOTS AND OTHER ORGANIC MATERIAL. ALL EXISTING FILL SHALL BE REMOVED FROM THE SITE AND REPLACED WITH FILL MATERIAL.  
 THE EMBANKMENT SHALL BE CONSTRUCTED WITH A COMPACTED, UNWEATHERED, NON-CLAYEY, SANDY SILT CLAY OR SILT CLAY WITH A MINIMUM DENSITY OBTAINED FROM THE COMPACTION TESTS PERFORMED BY THE CONTRACTOR. THE FILL MUST BE CONSTRUCTED IN 6" LIFTS AND TO THE SATURATION OF THE TOWNSHIP.



Filtertiox Siltsoxx. Details

**Notes:**  
 1. All material to be used Filtertiox, siltsoxx fabric.  
 2. Siltsoxx, compacted fill/rock/soil fill to meet application requirements.  
 3. Siltsoxx fabric shall be installed in a straight line and shall be set at a distance of 10 feet from the edge of the roadway.  
 4. Siltsoxx fabric shall be set at a distance of 45 degrees to the alignment of the roadway.  
 5. Siltsoxx fabric shall be set at a distance of 1/2 the above.  
 6. Siltsoxx fabric shall be set at a distance of 1/2 the above.



SLOPE INSTALLATION

**Notes:**  
 1. All material to be used Filtertiox, siltsoxx fabric.  
 2. Siltsoxx, compacted fill/rock/soil fill to meet application requirements.  
 3. Siltsoxx fabric shall be installed in a straight line and shall be set at a distance of 10 feet from the edge of the roadway.  
 4. Siltsoxx fabric shall be set at a distance of 45 degrees to the alignment of the roadway.  
 5. Siltsoxx fabric shall be set at a distance of 1/2 the above.  
 6. Siltsoxx fabric shall be set at a distance of 1/2 the above.

Blanket = P300  
 1/4" MIN. SPACING AT 18" MIN. SPACING, 1/4" MIN. SPACING AT 18" MIN. SPACING, 1/4" MIN. SPACING AT 18" MIN. SPACING  
 1/4" MIN. SPACING AT 18" MIN. SPACING, 1/4" MIN. SPACING AT 18" MIN. SPACING, 1/4" MIN. SPACING AT 18" MIN. SPACING  
 1/4" MIN. SPACING AT 18" MIN. SPACING, 1/4" MIN. SPACING AT 18" MIN. SPACING, 1/4" MIN. SPACING AT 18" MIN. SPACING

**DETAIL SHEET**

**RESTORATION PLAN FOR HERSHEY'S MILL DAM**

EAST GOSHEN TOWNSHIP  
 Edward B. Walsh & Associates, Inc.  
 CIVIL ENGINEERS & SURVEYORS  
 125 Douglas Forge Road  
 P.O. Box 100  
 Hershey, PA 17033  
 Phone (717) 305-0000  
 Fax (717) 305-0000



Project-	3550
Sheet-	4-10-12
Scale-	1" = 20'
Drawn-	SAJ
Checked-	ALB
Blank-	4 OF 5
Date-	000